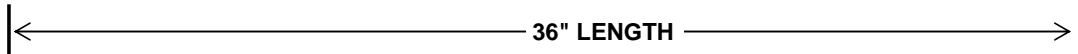


Backshell - Gray  
 ALL Wire size - 22 awg  
 Length of all wires - 36"

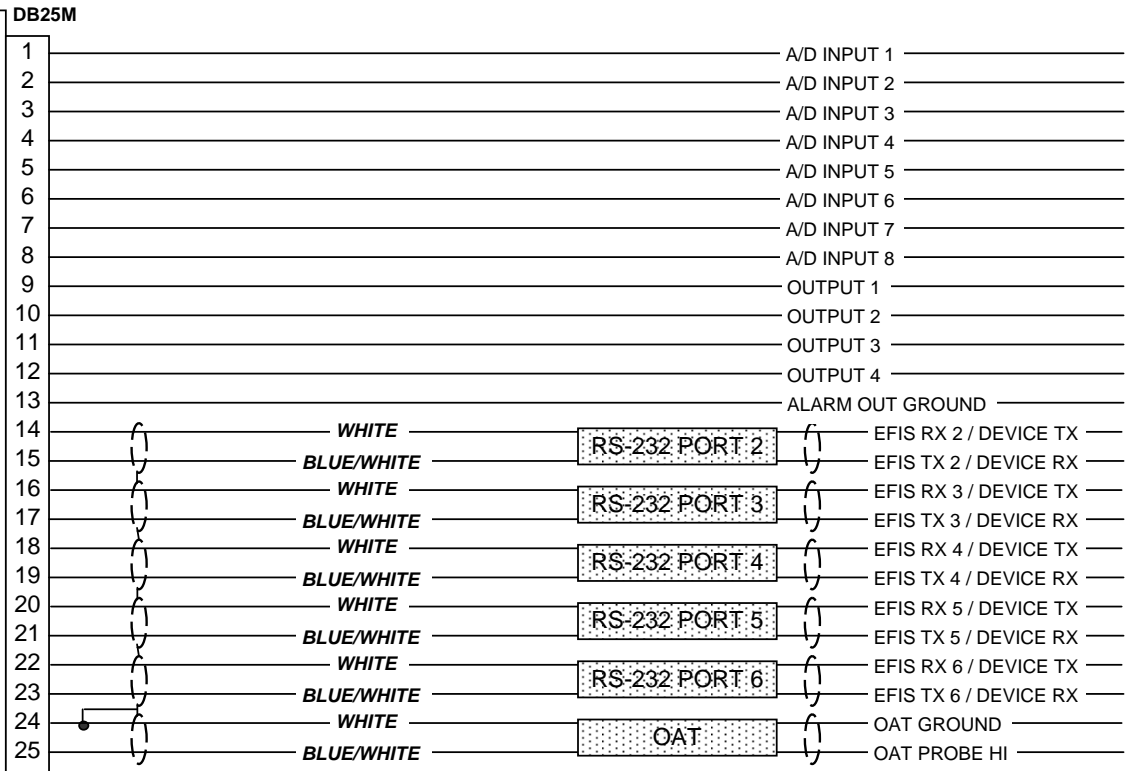
**MGL AVIONICS**  
**iEFIS-EXTENDER**

Note with label - "CAN BUS NOT USED  
 WITH iEFIS LITE"

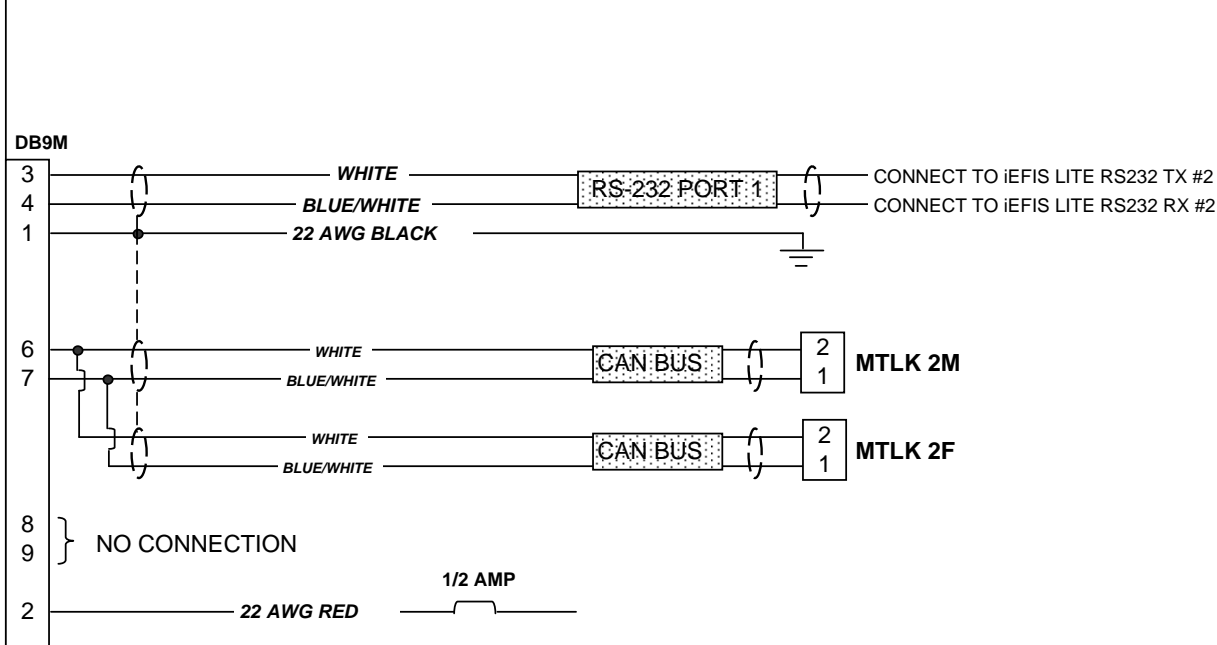
**MGL**  
**iEFIS-EXTENDER**



- ANALOG/DIGITAL INPUT 1
- ANALOG/DIGITAL INPUT 2
- ANALOG/DIGITAL INPUT 3
- ANALOG/DIGITAL INPUT 4
- ANALOG/DIGITAL INPUT 5
- ANALOG/DIGITAL INPUT 6
- ANALOG/DIGITAL INPUT 7
- ANALOG/DIGITAL INPUT 8
- DIGITAL OUTPUT 1
- DIGITAL OUTPUT 1
- DIGITAL OUTPUT 1
- DIGITAL OUTPUT 1
- ALARM OUTPUT
- RS232 RX 2
- RS232 TX 2
- RS232 RX 3
- RS232 TX 3
- RS232 RX 4
- RS232 TX 4
- RS232 RX 5
- RS232 TX 5
- RS232 RX 6
- RS232 TX 6
- GROUND
- OAT SENSOR



- RS232 RX 1
- RS232 TX 1
- POWER GROUND
  
- CAN 1 LOW
- CAN 1 HIGH
- CAN BUS NOT USED WITH iEFIS LITE*
  
- CAN 2 LOW
- CAN 2 HIGH
  
- +12VDC (8-18VDC)



**APPROACH FAST STACK**  
 MGL iEFIS-EXTENDER - Rev 1  
 PART # 7200-IEXT  
 DATE: 28-Oct, 2015  
 ENGINEERED BY: Tim Hass  
 APPROVED BY: Matt Liknaitzky